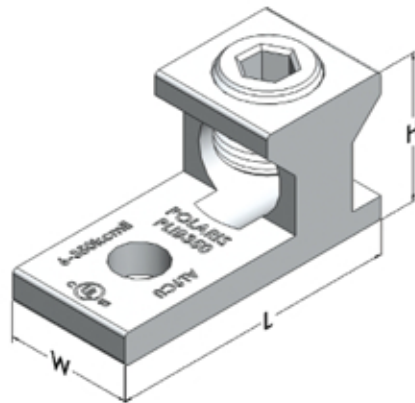


Single Conductor Solderless Lug

TYPE: PLIB

- Manufactured from high strength 6061-T6 aluminum alloy to provide premium electrical and mechanical performance
- Electro-Tin plated to provide very low contact resistance and inhibit corrosion
- Suitable for use with either copper or aluminum conductors
- Rated for 600 Volts
- Chamfered wire entry provides ease of installation
- UL Listed to 90 Deg C



Catalog Number	Wire Range AWG	Wire Range MM	Stud Size	Dimensions, Inches			Hex Size
				H	W	L	
PLIB1/0	1/0 - 14	50 - 2.5	1/4	0.78	0.63	1.47	3/16
PLIB2/0	2/0 - 14	70 - 2.5	1/4	0.78	0.63	1.47	3/16
PLIB250	250 - 6	120 - 16	5/16	1.02	0.88	2.00	5/16
PLIB300	300 - 6	150 - 16	5/16	1.13	0.88	2.00	5/16
PLIB350	350 - 6	185 - 16	3/8	1.13	0.99	2.25	5/16
PLIB310	(1)350 - 6, (2) 2/0 - 4	(1)185 - 16, (2)70 - 16	3/8	1.33	0.99	2.25	5/16
PLIB500	500 - 4	240 - 25	3/8	1.41	1.20	2.75	3/8
PLIB600	600 - 2	300 - 35	3/8	1.51	1.43	3.18	3/8
PLIB610	(1)600 - 2, (2) 250 - 4	(1)300 - 35, (2)120 - 25	3/8	1.81	1.43	3.18	3/8
PLIB710	(1)750 - 1/0, (2)300 - 6	(1)300 - 35, (2)120 - 25	1/2	2.05	1.38	2.82	3/8
PLIB800	800 - 300	400 - 150	5/8	1.69	1.44	3.25	1/2
PLIB810	(1)800 - 300, (2)350 - 1/0	(1)400 - 150, (2)185 - 50	5/8	2.05	1.44	3.25	1/2
PLIB1000	1000 - 350	500 - 185	5/8	1.88	1.69	3.25	9/16

* Oxide Inhibitor is recommended for all aluminum terminations.