

Single Conductor Solderless Lug

TYPE: PLIB-AR With Anti-Rotational Feature

- Manufactured from high strength 6061-T6 aluminum alloy to provide premium electrical and mechanical performance
- Electro-Tin plated to provide very low contact resistance and inhibit corrosion
- Suitable for use with either copper or aluminum conductors
- Rated for 600 Volts
- Chamfered wire entry provides ease of installation
- UL Listed to 90° C

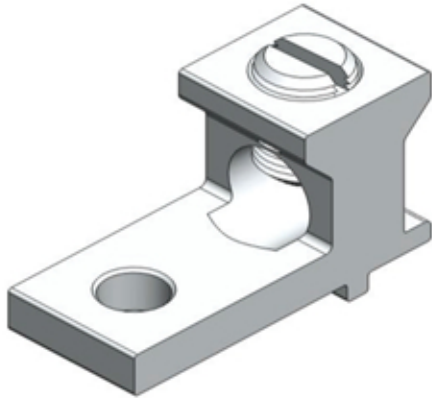


Figure 1

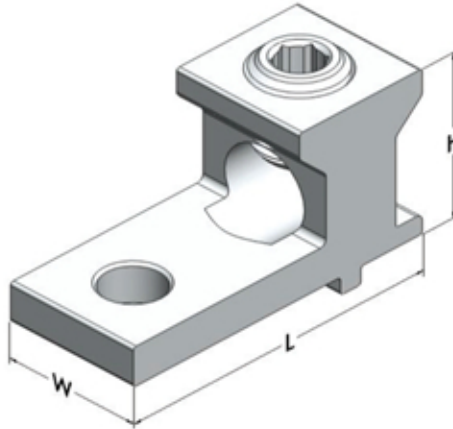


Figure 2

Catalog Number	Fig. No.	Wire Range AWG	Wire Range MM	Stud Size	Dimensions, Inches			Hex Size
					H	W	L	
PLIB6-AR	1	6-14	16 - 2.5	1/4	0.50	0.50	1.06	S
PLIB2-AR	1	2-14	35 - 2.5	1/4	0.55	0.50	1.16	S
PLIB1/0-AR	2	1/0 - 14	50 - 2.5	1/4	0.78	0.63	1.47	3/16
PLIB2/0-AR	2	2/0 - 14	70 - 2.5	1/4	0.78	0.63	1.47	3/16
PLIB250-AR	2	250 - 6	120 - 16	5/16	1.02	0.88	2.00	5/16
PLIB300-AR	2	300 - 6	150 - 16	5/16	1.13	0.88	2.00	5/16
PLIB350-AR	2	350 - 6	185 - 16	3/8	1.13	0.99	2.25	5/16
PLIB600-AR	2	600 - 2	300 - 35	3/8	1.51	1.43	3.18	3/8
PLIB800-AR	2	800 - 300	400 - 150	5/8	1.69	1.44	3.25	1/2
PLIB10000-AR	2	1000 - 350	500 - 185	5/8	1.88	1.69	3.25	9/16

* Oxide Inhibitor is recommended for all aluminum terminations.

* Anti-Rotational Design is also offered in multi-conductor connectors. Please contact factory for more information.