

Single Conductor Solderless Lug

TYPE: PLIB-2N/PPLIB-2N

- Manufactured from high strength 6061-T6 aluminum alloy to provide premium electrical and mechanical performance
- Electro-Tin plated to provide very low contact resistance and inhibit corrosion
- Suitable for use with either copper or aluminum conductors
- Rated for 600 Volts
- Chamfered wire entry provides ease of installation
- UL Listed to 90 Deg C

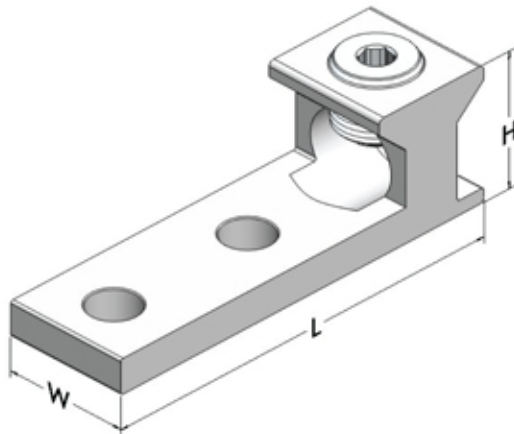


Figure 1

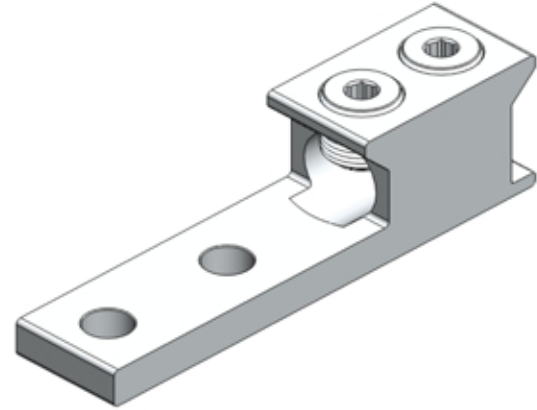


Figure 2

Catalog Number	Fig. No.	Wire Range AWG	Wire Range MM	Stud Size	Dimensions, Inches			Hex Size
					H	W	L	
PLIB250-2N	1	250 - 6	120 - 16	1/2	1.02	0.88	3.88	5/16
PLIB350-2N	1	350 - 6	185 - 16	1/2	1.13	0.88	4.25	5/16
PLIB500-2N	1	500 - 4	240 - 25	1/2	1.41	1.20	4.65	3/8
PLIB600-2N	1	600 - 2	300 - 35	1/2	1.51	1.43	4.65	3/8
PLIB800-2N	1	800 - 300	400 - 150	1/2	1.69	1.44	4.94	1/2
PLIB1000-2N	1	1000 - 350	500 - 185	1/2	1.88	1.69	4.94	9/16
PPLIB250-2N	2	250 - 6	120 - 16	1/2	1.02	0.88	5.00	5/16
PPLIB350-2N	2	350 - 6	185 - 16	1/2	1.13	0.88	5.25	5/16
PPLIB500-2N	2	500 - 4	240 - 25	1/2	1.41	1.20	5.75	3/8
PPLIB600-2N	2	600 - 2	300 - 35	1/2	1.51	2.43	5.75	3/8
PPLIB800-2N	2	800 - 300	400 - 150	1/2	1.69	1.44	5.75	1/2
PPLIB1000-2N	2	1000 - 350	500 - 185	1/2	1.88	1.69	6.19	9/16

* "N" designates NEMA standard stud holes.

* Oxide Inhibitor is recommended for all aluminum terminations.