

Switchgear Connectors

TYPE: PL-2SL/PPL-2SL

- Manufactured from high strength 6061-T6 aluminum alloy to provide premium electrical and mechanical performance
- Electro-Tin plated to provide very low contact resistance and inhibit corrosion
- Suitable for use with either copper or aluminum conductors
- Rated for 600 Volts
- Chamfered wire entry provides ease of installation
- One mounting hole lotted to accommodate variance spacings
- UL Listed to 90° C

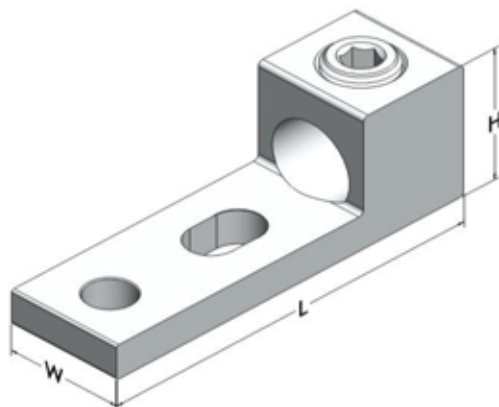


Figure 1

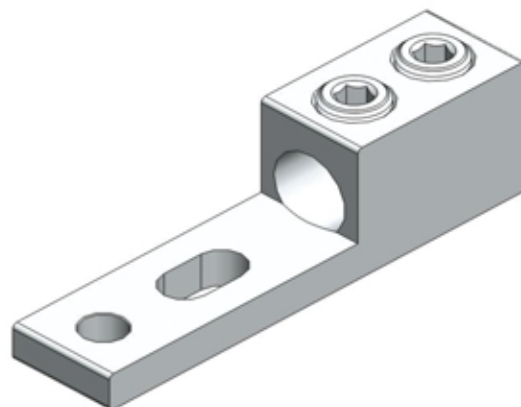


Figure 2

Catalog Number	Fig. No.	Wire Range AWG	Wire Range MM	Stud Size	Dimensions, Inches			Hex Size
					H	W	L	
PL250-2SL	1	350 - 6	185 - 16	1/2	1.02	0.88	5.00	5/16
PL350-2SL	1	500 - 4	240 - 25	1/2	1.13	0.88	5.25	5/16
PL500-2SL	1	600 - 2	300 - 35	1/2	1.41	1.20	5.75	3/8
PPL800-2SL	2	800 - 300	400 - 150	1/2	1.69	1.44	4.94	1/2
PPL1000-2SL	2	1000 - 350	500 - 185	1/2	1.88	1.69	4.94	9/16

* "N" designates NEMA standard stud holes.

* Oxide Inhibitor is recommended for all aluminum terminations.