

Two Conductor Solderless Lug

TYPE: P2LIB/P2LIB-2N/PP2LIB-2N

- Manufactured from high strength 6061-T6 aluminum alloy to provide premium electrical and mechanical performance
- Electro-Tin plated to provide very low contact resistance and inhibit corrosion
- Suitable for use with either copper or aluminum conductors
- Rated for 600 Volts
- Chamfered wire entry provides ease of installation
- UL Listed to 90° C

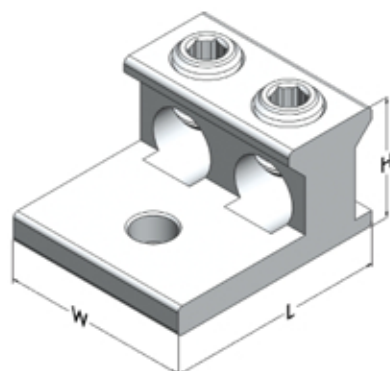


Figure 1

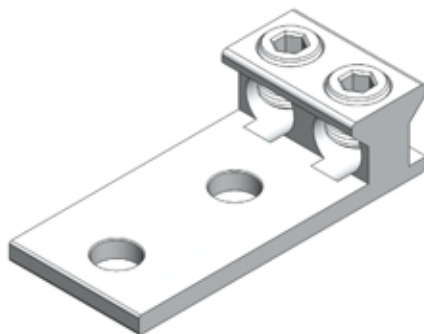


Figure 2

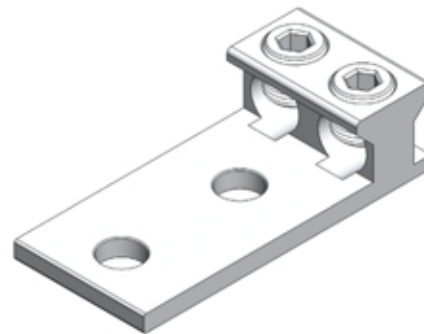


Figure 3

Catalog Number	Fig. No.	Wire Range AWG	Wire Range MM	Stud Size	Dimensions, Inches			Hex Size
					H	W	L	
P2LIB1/0	1	1/0 - 14	50 - 2.5	1/4	0.78	1.13	1.47	3/16
P2LIB2/0	1	2/0 - 14	70 - 2.5	1/4	0.78	1.25	1.47	3/16
P2LIB250	1	250 - 6	120 - 16	3/8	1.02	1.69	2.56	5/16
P2LIB350	1	350 - 6	185 - 16	1/2	1.13	1.92	2.88	5/16
P2LIB600	1	600 - 2	300 - 35	1/2	1.51	2.68	3.18	3/8
P2LIB800	1	800 - 300	400 - 150	5/8	1.69	2.75	3.25	1/2
P2LIB1000	1	1000 - 350	500 - 185	5/8	1.88	3.19	3.25	9/16
P2LIB250-2N	2	250 - 6	120 - 16	1/2	1.02	1.69	3.88	5/16
P2LIB350-2N	2	350 - 6	185 - 16	1/2	1.13	1.92	4.25	5/16
P2LIB600-2N	2	600 - 2	300 - 35	1/2	1.51	2.68	4.65	3/8
P2LIB800-2N	2	800 - 300	400 - 150	1/2	1.69	2.75	4.94	1/2
P2LIB1000-2N	2	1000 - 350	500 - 185	1/2	1.88	3.19	4.94	9/16
PP2LIB350-2N	3	350 - 6	185 - 16	1/2	1.13	1.92	5.25	5/16
PP2LIB600-2N	3	600 - 2	300 - 35	1/2	1.51	2.68	5.75	3/8
PP2LIB800-2N	3	800 - 300	400 - 150	1/2	1.69	2.75	5.75	1/2
PP2LIB1000-2N	3	1000 - 350	500 - 185	1/2	1.88	3.19	6.19	9/16

* "N" designates NEMA standard stud holes.

* Oxide Inhibitor is recommended for all aluminum terminations.